

LED HAZARDOUS LOCATIONS LIGHT - MS Series E



Flat glass

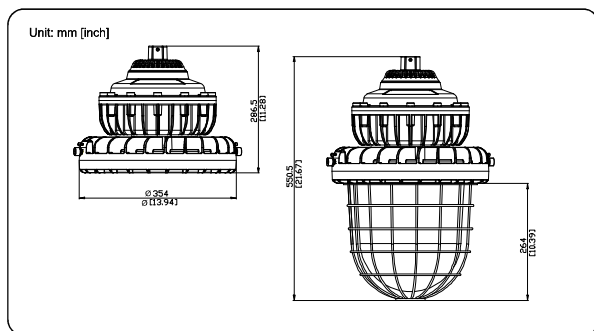
Spherical glass

Basic Data

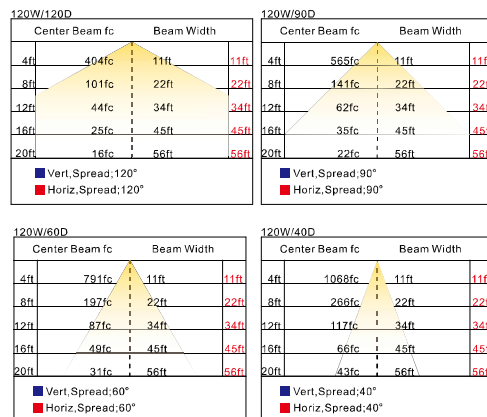
Product Number	Wattage	Color Temp.	Voltage	Lumens	Warranty	CRI
EX-20W EYZDA	20	4000K-5700K	100-277/200-480V	2800	5 years	70
EX-80W EYZDA	80	4000K-5700K	100-277/200-480V	11200	5 years	70
EX-100W EYZDA	100	4000K-5700K	100-277/200-480V	14000	5 years	70
EX-120W EYZDA	120	4000K-5700K	100-277/200-480V	16800	5 years	70
EX-150W EYZDA	150	4000K-5700K	100-277/200-480V	21000	5 years	70

"E"=Product code, "Y"=D or N:Dimmable or non-dimmable "Z"= CCT, from 4000~5700K "D"=Beam angle, D40 for 40°,D60 for 60°,D90 for 90°, D120 for 120° A for glass info. blank for flat glass, C for spherical glass.

Dimensions



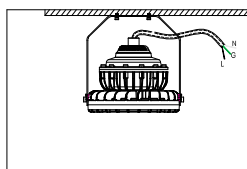
Lighting Distribution



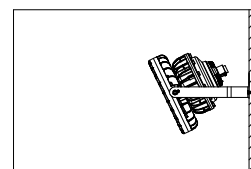
Approvals

Marking Atex	IIC G Ex db IIC T6 Gb IIC D Ex db IIIC T80 Db IP66
Marking IECEX	Ex db IIC T6 Gb Ex db IIIC T80 Db IP66
Marking UL844 (North American)	Class I, Division 1, Groups C, D Class I, Division 2, Groups A, B, C, D Class II, Division 1, Groups E, F, G Class II, Division 2, Groups E, F, G Class III
Marine Marking	UL 1598A ABS and DNV Type Approved
Other Rating	IP 66 IK 10

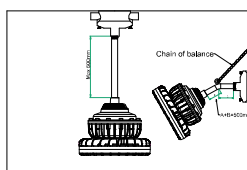
Installation



Ceiling Bracket Mounting



Wall Bracket Mounting



Pole Mounting